

**MASCOT**



**High End  
Technology**

**Tight  
Shutoff**



**Reliability**

**Expertise you  
can trust**

**VFLO Characterised Ball Valve**





## VFLO Design Features

- Heavy duty industrial design
- High Cv capacity
- High rangeability (300:1)
- Shearing action of ball ideal for slurries
- Low break out torque
- Metal seat – class IV shutoff
- Soft seat – class VI shutoff
- High torque actuator
- Wide range of alloys
- Pressure ratings upto ANSI CL900

## Quality Assurance

- ISO 9001
- Hydrostatic test to ASME B16.34
- Seat leak test to ASME / FCI 70-2

## Ease of Maintenance

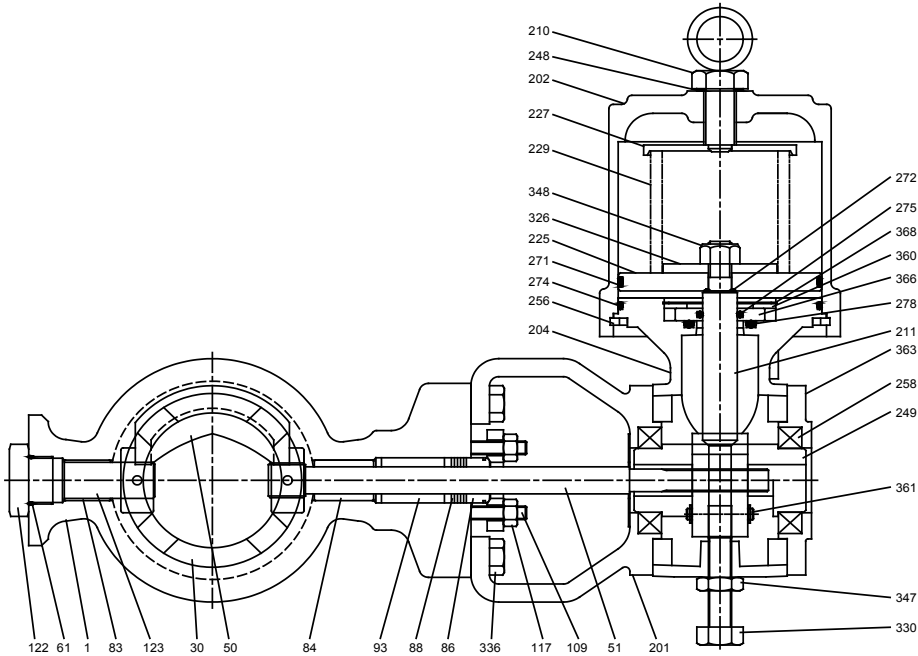
- Minimal spare parts requirements
- High degree of interchangeability between valve sizes and pressure ratings
- Actuators are field reversible from fail closed to open and vice versa
- 3 actuator sizes typically cover 95% of all actuator requirements for both fail open and fail closed

## Specification

Body type:	One-piece segmented V notch ball
Size:	0.5" to 18.0"
Pressure class:	ANSI CL150 to ANSI CL600
Body material:	All castable alloys
End connections:	Flangeless, flanged (integral and separable flange)
Gland packing:	PTFE, braided PTFE, grafoil
Seat ring:	Clamped-in, self aligned
Shaft:	Splined-no lost motion or dead band
Characteristics:	Equal percentage, linear and quick open
Actuator:	Rotary spring cylinder; fully field reversible
Positioner:	High performance analogue & digital



## VFLO Components



Item No.	Part Name	227	Spring Button
		229	Spring
1	Body	248	Gasket, Adjusting Screw
30	Seat Retainer	249	Lever Arm
50	Ball	256	Retaining Ring, Cylinder
51	Shaft	258	Bearing, Lever Arm
61	Adapter O-ring	271	Piston O-ring
83	Bearing, Post	272	Piston Stem O-ring
84	Bearing, Shaft	274	Cylinder O-ring
86	Follower Packing	275	Actuator Stem O-ring
88	Packing Set	278	Base Slider O-ring
93	Packing Spacer	326	Spring Guide
109	Packing Box Stud	330	Stroke Stop Bolt
117	Packing Box Nut	336	Yoke Bolt
122	Plug, Hex. Head	347	Stroke Stop Jam Nut
123	Post	348	Actuator Stem Locknut
201	Yoke	360	Sliding Seal Top Clamp
202	Cylinder	361	Pivot Pin
204	Transfer Case	363	Cover Plate
210	Adjusting Screw	366	Sliding Seal Coller
211	Actuator Stem	368	Spiral Retaining Ring
225	Piston		





## GFLO

### High Performance Single Seated Globe Control Valve

Body type: . . . . . 2way, 3way, angle & jacketed  
 Size: . . . . . 0.5" to 30.0"  
 Pressure Class: . . . Up to ANSI CL 4500  
 Body Material: . . . All castable alloys  
 End Connections: . . Flanged, screwed, butt and socket welded  
 Bonnet: . . . . . Standard, extended, cryogenic & bellow sealed  
 Guiding: . . . . . Heavy duty double top stem  
 Gland Packing: . . . PTFE, braided PTFE, grafoil, low fugitive emission  
 Gaskets: . . . . . PTFE, spiral grafoil  
 Seat Ring: . . . . . Clamped-in, self aligned  
 Plug: . . . . . Solid one piece construction with large stem diameter  
 Characteristics: . . . Equal percentage, linear and on-off  
 Special Trims: . . . CAVFLO, MEGAFLO, GFLO VC  
 Actuator: . . . . . Linear spring cylinder, fully field reversible  
 Shut off class: . . . . With metal seat - ANSI IV or V and replaceable soft seat - ANSI VI



## VFLO

### High Performance V-Ball Control Valve

Body type: . . . . . One-Piece VFLO Ball, straight-through  
 Size: . . . . . 0.5" to 18.0"  
 Pressure Class: . . . Up to ANSI CL 900  
 Body Material: . . . All castable alloys  
 End Connections: . . Flangeless, flanged (integral and separable flange)  
 Gland Packing: . . . PTFE, braided PTFE, grafoil  
 Seat Ring: . . . . . Clamped-in, self aligned, bi-directional  
 Ball: . . . . . Segmented V-notch ball, reduces clogging, shearing action fibrous fluids  
 Shaft: . . . . . Splined-No lost motion or dead band  
 Characteristics: . . . Equal percentage, linear and on-off  
 Rangeability: . . . . 300:1  
 Actuator: . . . . . Rotary spring cylinder, fully field reversible  
 Shut off class: . . . . With metal seat - ANSI IV and replaceable soft seat - ANSI VI



## DISKFLO

### High Performance Wafer style Butterfly Control Valve

Body type: . . . . . Wafer, light in weight, provides large flow and minimum pressure drop  
 Size: . . . . . 2.0" to 42.0"  
 Pressure Class: . . . Up to ANSI CL 1500  
 Body Material: . . . All castable alloys  
 End Connections: . . Wafer, lugged, flanged  
 Gland Packing: . . . PTFE, braided PTFE, grafoil  
 Seat Ring: . . . . . Clamped-in, self aligned  
 Disc: . . . . . Double eccentric cammed  
 Shaft: . . . . . Splined no lost motion or dead band  
 Characteristics: . . . Equal percentage, linear and on-off  
 Actuator: . . . . . Rotary spring cylinder, fully field reversible  
 Shut off class: . . . . With metal seat - ANSI IV and replaceable soft seat - ANSI VI



## SEVERE SERVICE

### Cavitation, Noise Abatement, Velocity Control Trim

Applications:

- Anti-cavitation trims
- Noise attenuation trims
- Multistage "velocity control" anti-cavitation
- Trims for liquid applications
- Multistage "velocity control" noise attenuating trims
- Choke applications

### MASCOT Industrial

15A Randor Street Campbellfield, Victoria 3061 Australia

Tel: +61 3 9357 6555 | Fax: +61 3 9357 6566 | Email: sales@mascot-industrial.com | Web: www.mascot-industrial.com

The contents of this brochure are provided for informational purposes only. Whilst every effort has been made to ensure the accuracy of the information and specifications provided, they are not to be construed as warranties or guarantees, express or implied, regarding any matter in relation to this product. MASCOT Industrial reserves the right to modify or improve designs and as such the information and specifications provided in this brochure are subject to change without notice. MASCOT Industrial does not accept responsibility for the selection, use and maintenance of any product. Responsibility for the selection, use and maintenance of any product remains with the purchaser and end user.